

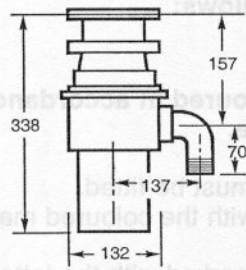
FOR ALL WASTE MAID DISPOSERS DIMENSIONS AND INSTALLATIONS

All dimensions are in mm, except B.P.S. thread, which is in inches.

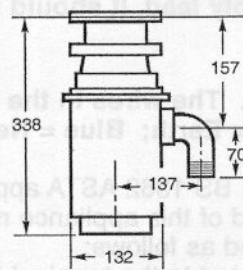
All models, except 055, utilise stainless steel turntables.

Splash guards are not used with any of the Batch Feed models.

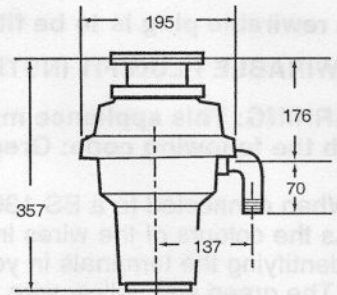
CONTINUOUS AND BATCH FEED MODELS



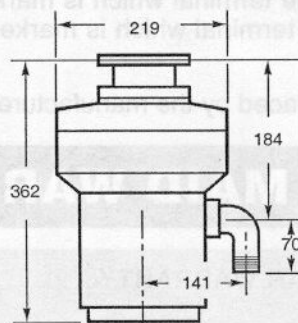
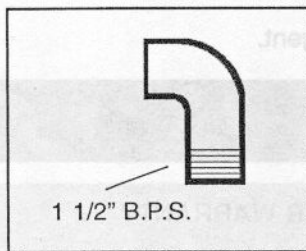
055



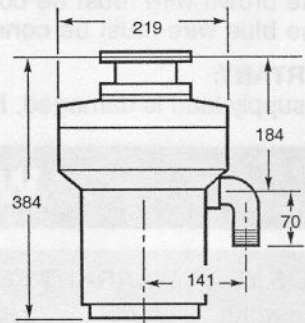
155



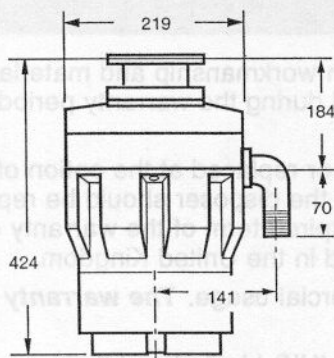
255



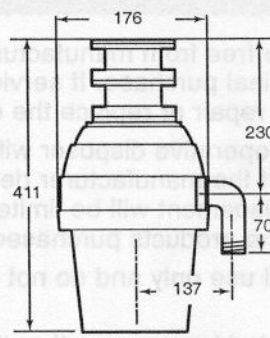
355



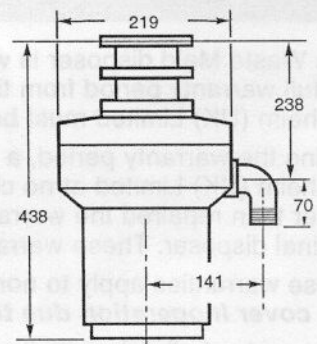
455



655



255BF



555BF

TYPICAL INSTALLATIONS

- * 229mm for 055 and 155.
- * 254mm for 255, 355, 455 and 655.
- * 305mm for 255BF and 555BF.

Choice of trap is optional.

SINGLE BOWL

